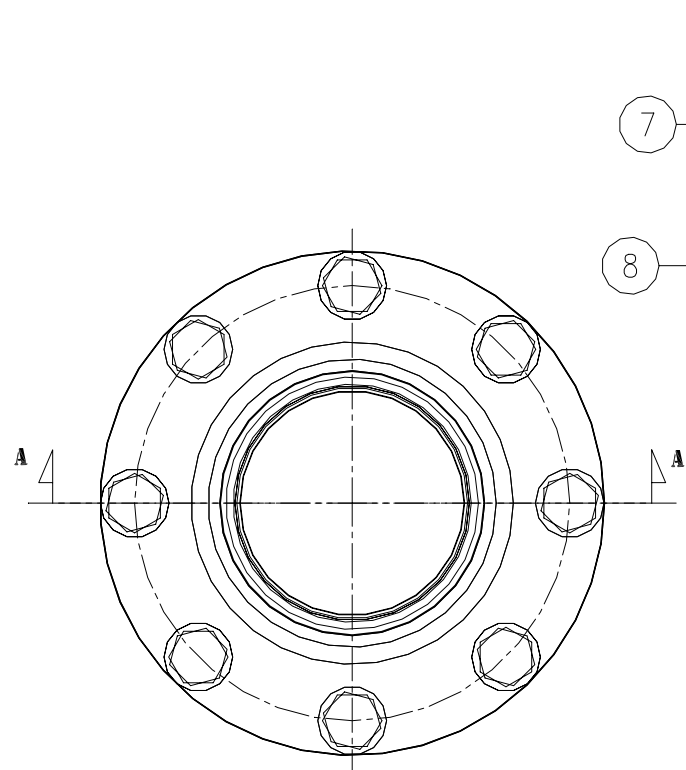


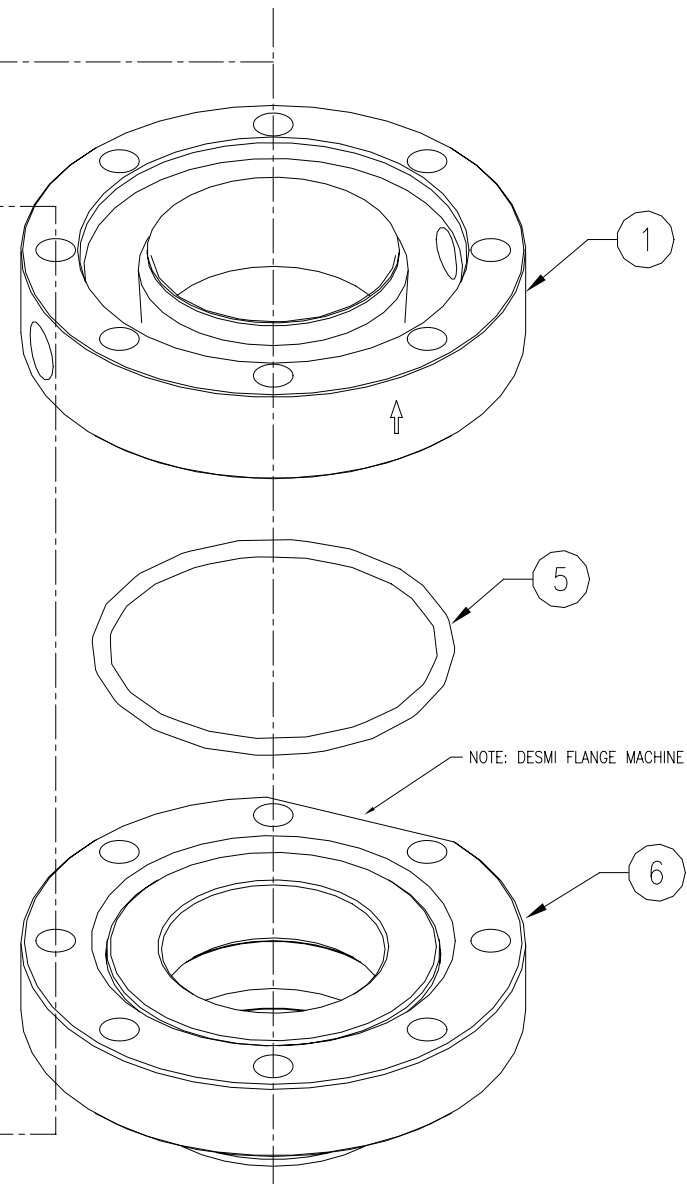
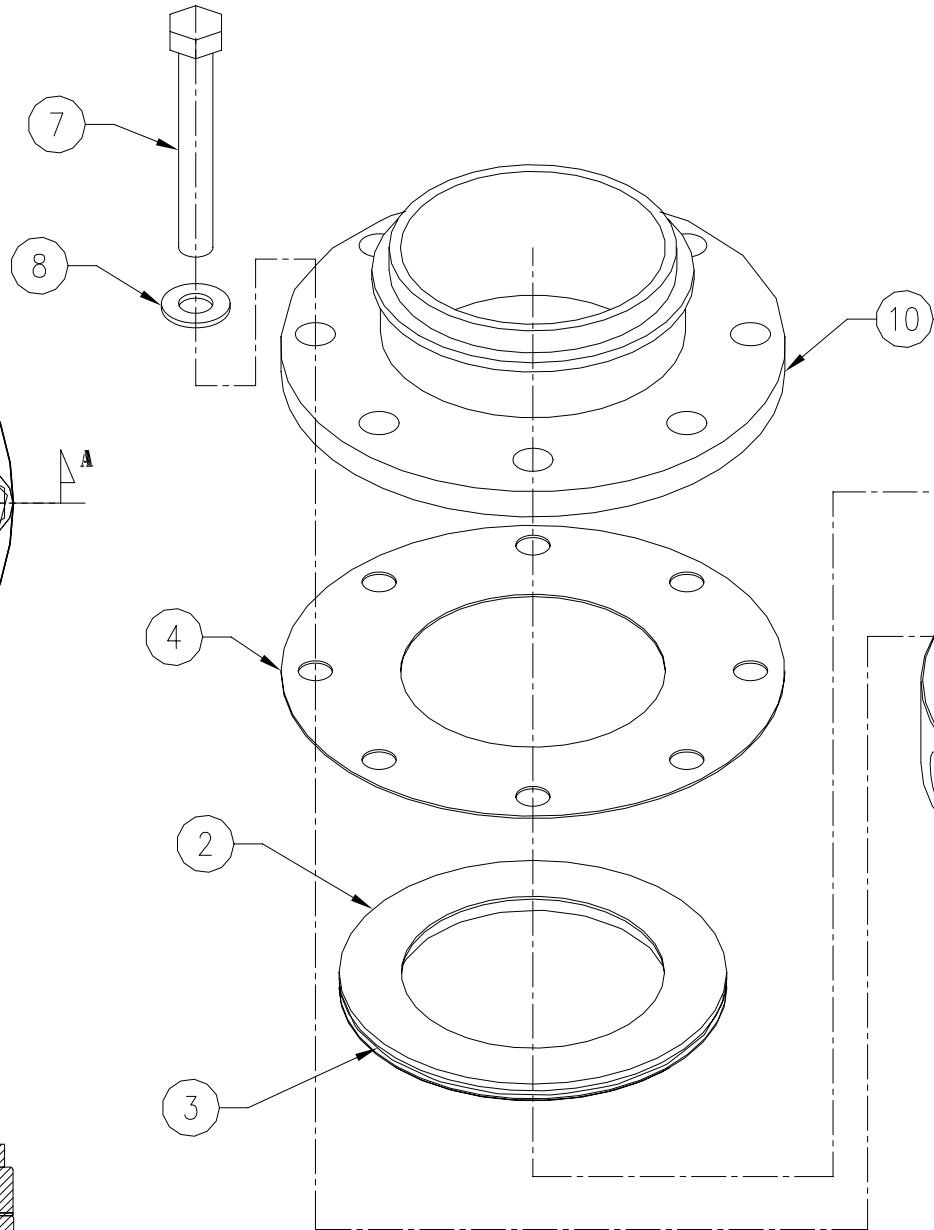
PARTS LIST					
FIND NO.	QTY REQD	CAGE CODE	PART OR IDENTIFYING NO.	NOMENCLATURE OR DESCRIPTION	MATERIAL OR NOTE
1	1	-	-1	AWIF OUTER RING	AL 6061-T6
2	1	-	-2	AWIF INNER RING	AL 6061-T6
3	1	-	-3	O-RING - 4MM BODY X 206mm ID	NBR 70
4	1	-	-4	6" 150# FLG GASKET X 147mm ID	BUNA N
5	1	-	-5	O-RING - .375 DIA X 7.1875 I.D.	BUNA N
6	1	-	DESMI P/N 681624 W/HYDE#33114	DESMI 5" NPSM X 6" ANSI FLG ADAPTER (DOP-250 PUMP)	ALUMINUM
7	8	-	COMMERCIAL	3/4"-10UNC X 6-1/2" LG. HHCS	SST
8	16	-	COMMERCIAL	WASHER, FLAT, 3/4 (NOM)	SST
9	8	-	COMMERCIAL	NUT, HEX, 3/4-10 UNC	SST
10	1	-	HYDRASEARCH P/N A-ADP-6F-6MS	6" ANSI FLG X 6" HYDRASEARCH MALE ADAPTER	-

**NOTE!**

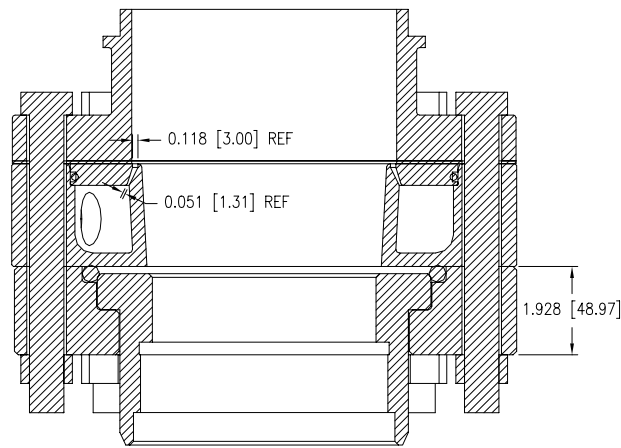
DURING ASSEMBLY, CONFIRM THAT AWIF, GASKETS, AND FLANGES ARE ALIGNED AND CONCENTRIC BEFORE TIGHTENING BOLTS.



A 4



ISOMETRIC VIEW



SECTION A-A

0.118 [3.00] REF

0.051 [1.31] REF

1.928 [48.97]

NOTE: DESMI FLANGE MACHINE FLAT

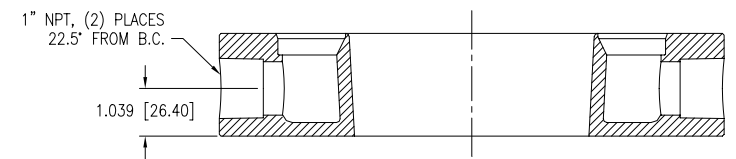
EXPLODED VIEW

**HYDE** HYDE MARINE, INC.  
SINCE 1865 CLEVELAND, OHIO

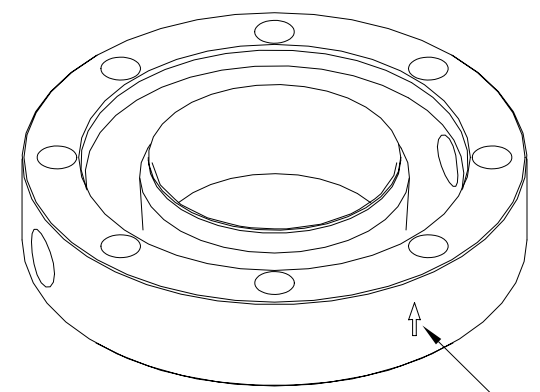
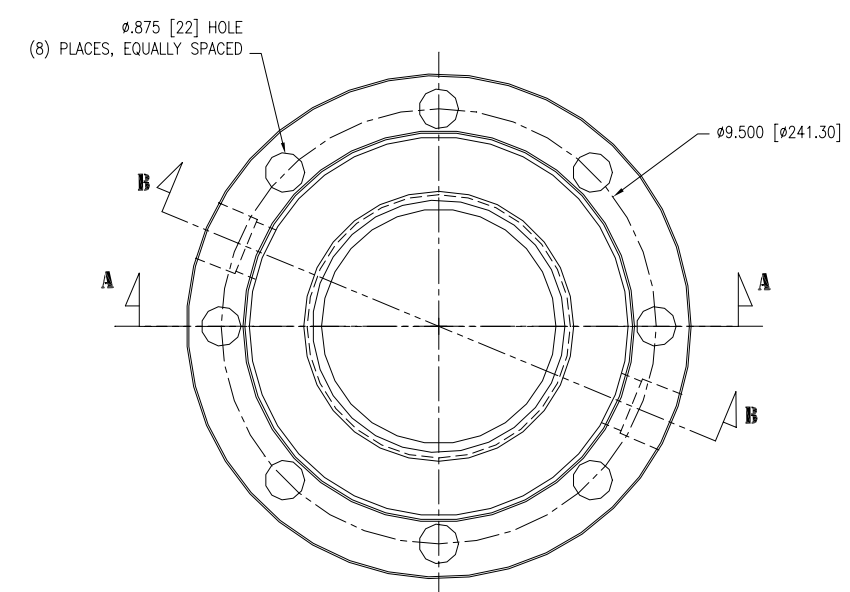
FLEMINGCO ANNULAR WATER INJECTION FLANGE FOR DESMI 5" NPSM X 6" ANSI DISCHARGE FLANGE

DRAWING NO. 32112

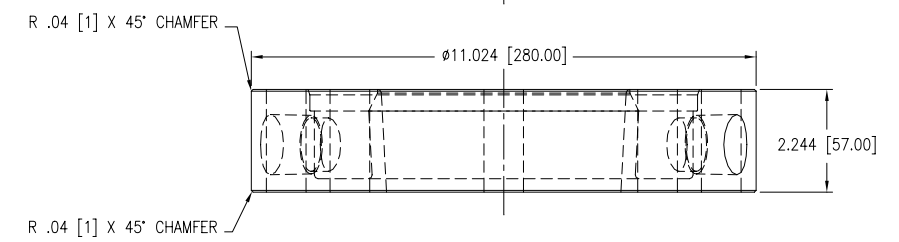
REV.	DATE	APPR.	DESCRIPTION	BY
DESIGNED: -			U.S. COAST GUARD	HEADQUARTERS
DRAWN: J.F.FIFE...			CIVIL ENGINEERING	
TRACED: -			USCG VOPS	
CHECKED: -			AWIF FOR DESMI 5" NPSM/6" ANSI INLET	
REVIEWED BY: -			6" HYDRASEARCH MALE OUTLET	
PROJECT ENGINEER			ANNULUS FLANGE	
REVIEWED BY: -				
G-SEC-2C			APPROVED: -	DATE
REVIEWED BY: -			G-SEC-2	CHIEF, OFFICE OF CIVIL ENGINEERING
UNLESS OTHERWISE SPECIFIED: ALL DIMENSIONS ARE IN INCHES. TOLERANCES: DIM. - ANG. -			DRAWING NUMBER	REV.
			XXXXXX	-
SCALE: NONE			SHEET 1 OF 3	



**SECTION B-B**

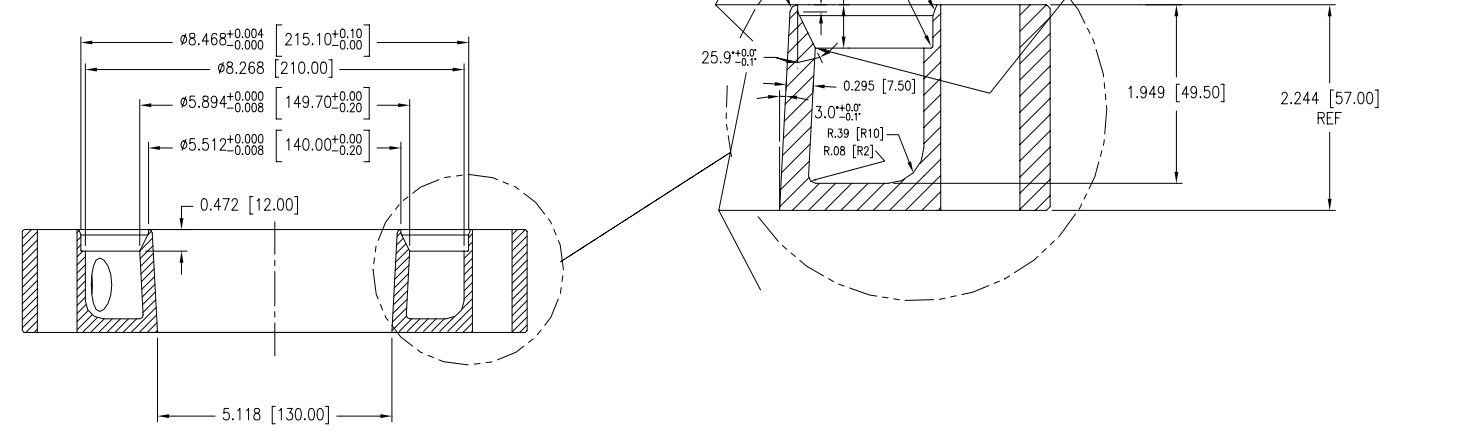


**ISOMETRIC VIEW**



R .04 [1] X 45° CHAMFER

AFTER MACHINING EDGES, SEE NOTE 1



**SECTION A-A**

**NOTES:**

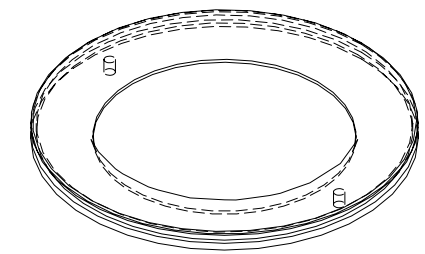
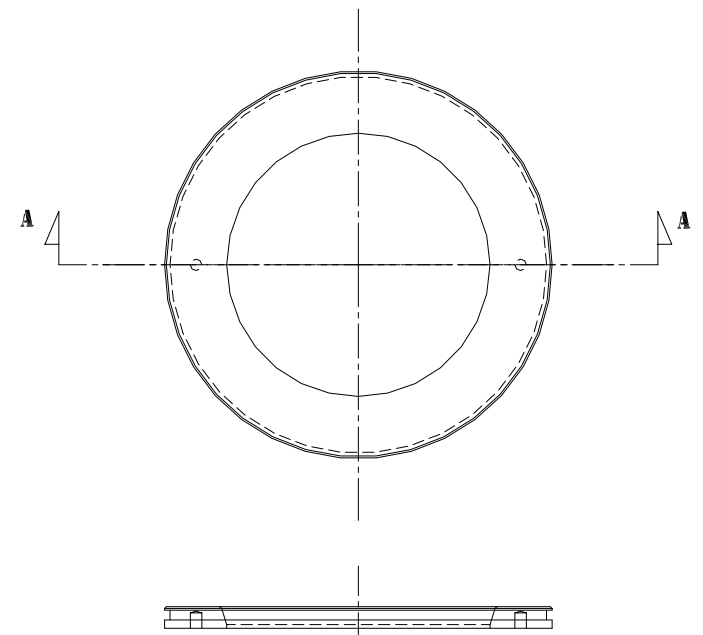
1. MACHINE RADIUS AFTER MACHINING ANGLE.
2. TOLERANCES WHERE NOT INDICATED +/- .004 [0.1]
3. BREAK ALL NON-SPECIFIED EDGES.
4. SURFACE QUALITY - NORMAL/FINE
5. MATERIAL - ALUMINUM 6061-T6.
6. MARK EACH SIDE OF AWIF (90 DEG. FROM WATER INLET PORTS) WITH AN ARROW TO INDICATE FLOW DIRECTION.

REV.	DATE	APPR.	DESCRIPTION	BY
DESIGNED: -			U.S. COAST GUARD	HEADQUARTERS
DRAWN: J.F.FIFE...			CIVIL ENGINEERING	
TRACED: -			USCG VOPS	
CHECKED: -			AWIF FOR DESMI 5" NPSM/6" ANSI INLET	
REVIEWED BY: -			6" HYDRASEARCH MALE OUTLET	
PROJECT ENGINEER			ANNULUS FLANGE	
REVIEWED BY: -				
G-SEC-2C			APPROVED: -	DATE
G-SEC-2			CHIEF, OFFICE OF CIVIL ENGINEERING	
UNLESS OTHERWISE SPECIFIED: ALL DIMENSIONS ARE IN INCHES. TOLERANCES: DIM. - ANG. -			DRAWING NUMBER	REV.
			XXXXXX	-
DRAWING NO. 32112			SCALE: NONE	SHEET 2 OF 3

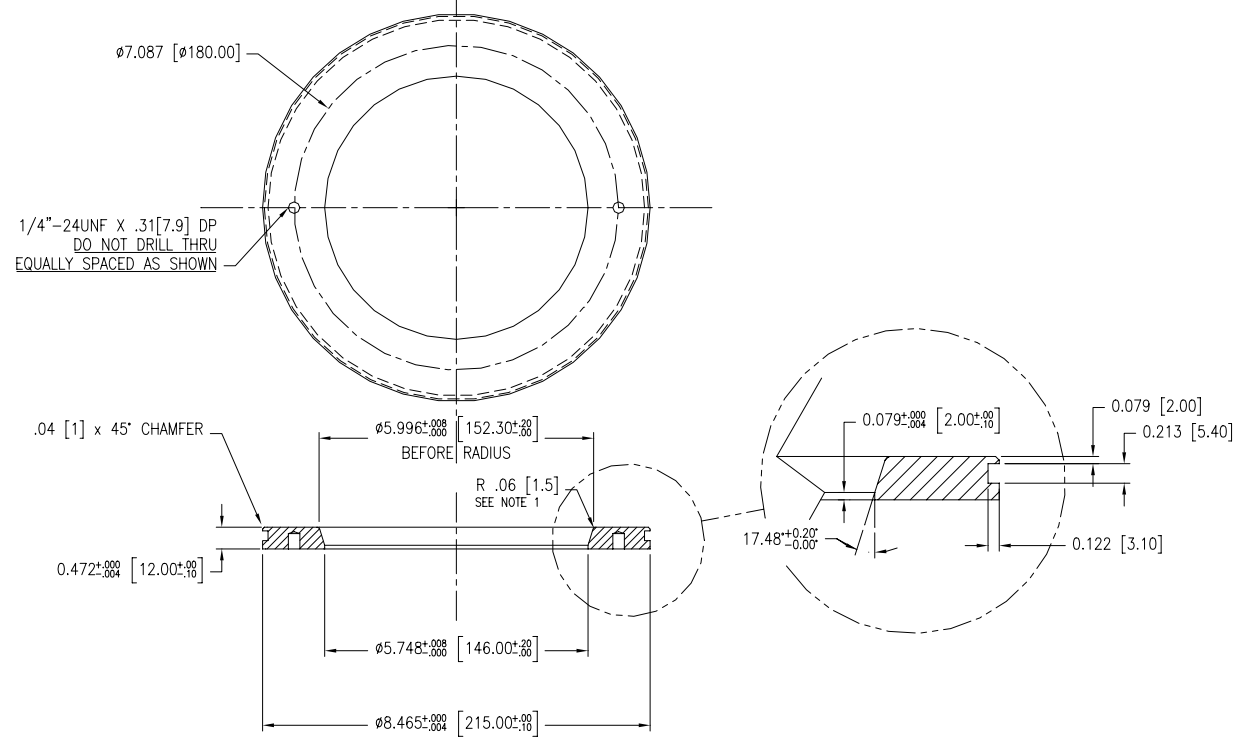
**XHYDE** HYDE MARINE, INC.  
SINCE 1865 CLEVELAND, OHIO

FLEMINGCO ANNULAR WATER  
INJECTION FLANGE FOR DESMI  
5" NPSM X 6" ANSI DISCHARGE FLANGE

DRAWING NO. 32112



ISOMETRIC VIEW



SECTION B-B

NOTES:

1. MACHINE RADIUS AFTER MACHINING ANGLE.
2. TOLERANCES WHERE NOT INDICATED  $\pm .004$  [0.1]
3. BREAK ALL NON-SPECIFIED EDGES.
4. SURFACE QUALITY - NORMAL/FINE
5. MATERIAL - ALUMINUM 6061-T6.

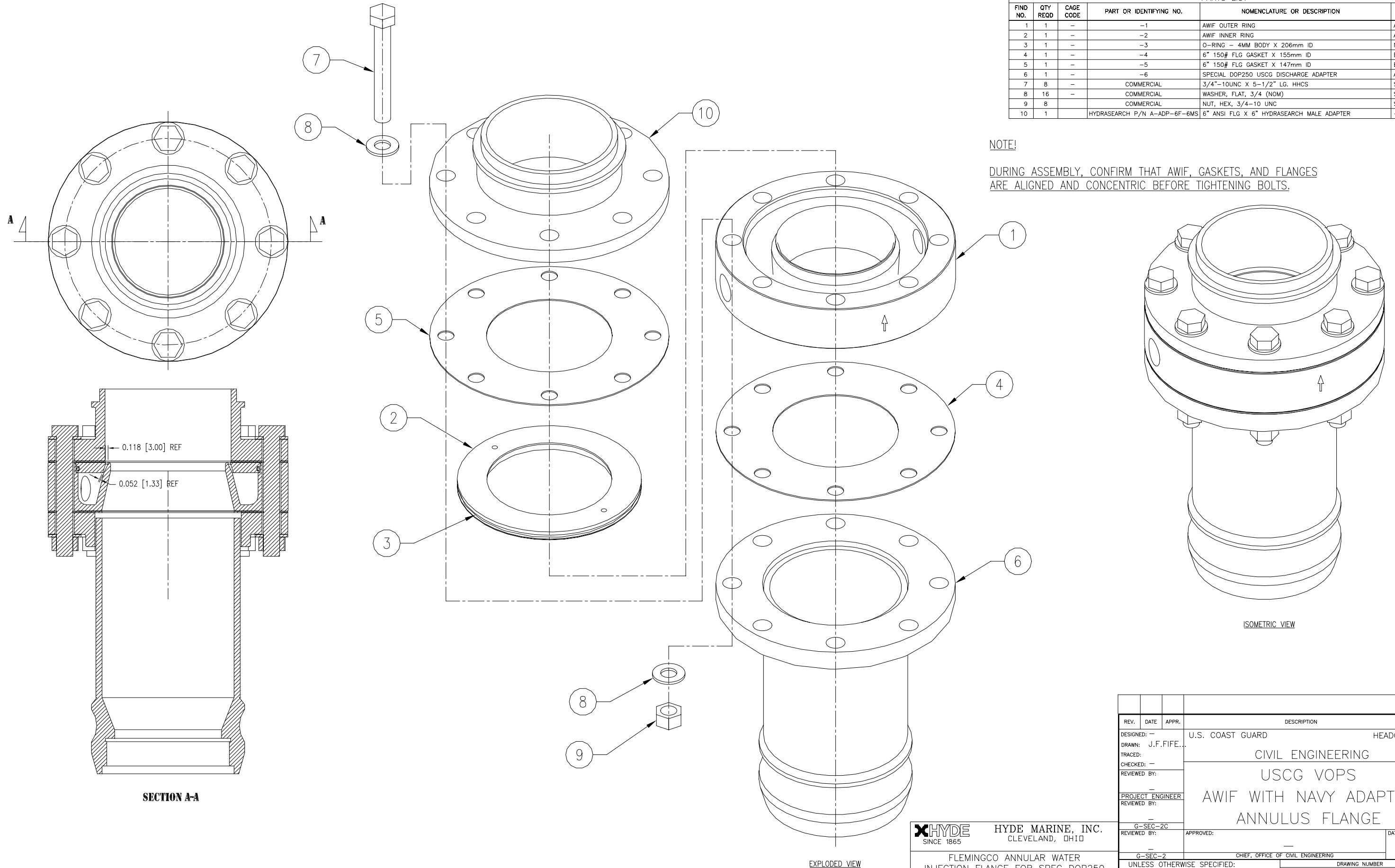
**HYDE** HYDE MARINE, INC.  
 SINCE 1865 CLEVELAND, OHIO  
 FLEMINGCO ANNULAR WATER  
 INJECTION FLANGE FOR DESMI  
 5" NPSM X 6" ANSI DISCHARGE FLANGE  
 DRAWING NO. 32112

REV.	DATE	APPR.	DESCRIPTION	BY
DESIGNED: —			U.S. COAST GUARD	HEADQUARTERS
DRAWN: J.F.FIFE			CIVIL ENGINEERING	
TRACED: —			USCG VOPS	
CHECKED: —			AWIF FOR DESMI 5" NPSM/6" ANSI INLET	
REVIEWED BY: —			6" HYDRASEARCH MALE OUTLET	
PROJECT ENGINEER			ANNULUS FLANGE	
REVIEWED BY: —				
G-SEC-2C				
REVIEWED BY: —				
G-SEC-2			CHIEF, OFFICE OF CIVIL ENGINEERING	
REVIEWED BY: —				
UNLESS OTHERWISE SPECIFIED: ALL DIMENSIONS ARE IN INCHES. TOLERANCES: DIM. — ANG. —			DRAWING NUMBER	REV.
			XXXXXX	—
SCALE: NONE			SHEET 3	OF 3

PARTS LIST					
FIND NO.	QTY REQD	CAGE CODE	PART OR IDENTIFYING NO.	NOMENCLATURE OR DESCRIPTION	MATERIAL OR NOTE
1	1	-	-1	AWIF OUTER RING	AL 6061-T6
2	1	-	-2	AWIF INNER RING	AL 6061-T6
3	1	-	-3	O-RING - 4MM BODY X 206mm ID	NBR 70
4	1	-	-4	6" 150# FLG GASKET X 155mm ID	BUNA N
5	1	-	-5	6" 150# FLG GASKET X 147mm ID	BUNA N
6	1	-	-6	SPECIAL DOP250 USCG DISCHARGE ADAPTER	ALUMINUM
7	8	-	COMMERCIAL	3/4"-10UNC X 5-1/2" LG. HHCS	SST
8	16	-	COMMERCIAL	WASHER, FLAT, 3/4 (NOM)	SST
9	8	-	COMMERCIAL	NUT, HEX, 3/4-10 UNC	SST
10	1	-	HYDRASEARCH P/N A-ADP-6F-6MS	6" ANSI FLG X 6" HYDRASEARCH MALE ADAPTER	-

NOTE!

DURING ASSEMBLY, CONFIRM THAT AWIF, GASKETS, AND FLANGES ARE ALIGNED AND CONCENTRIC BEFORE TIGHTENING BOLTS.



SECTION A-A

EXPLODED VIEW

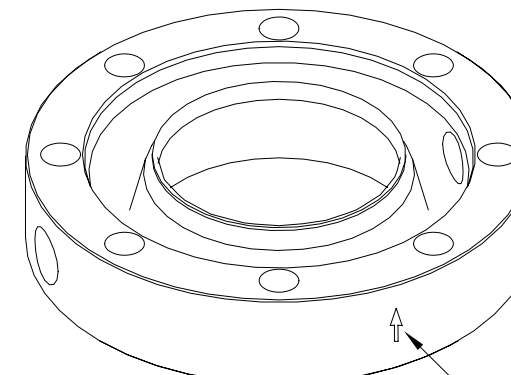
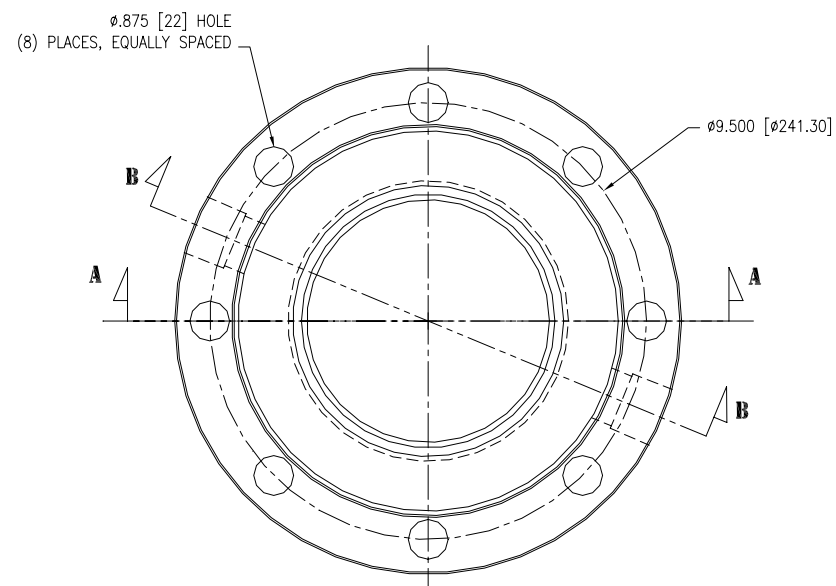
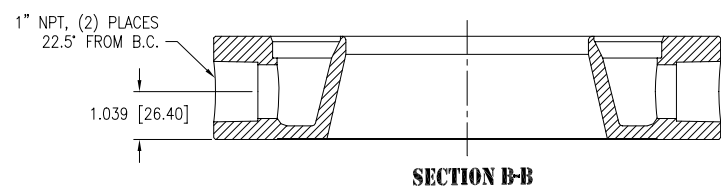
ISOMETRIC VIEW

**HYDE** HYDE MARINE, INC.  
SINCE 1865 CLEVELAND, OHIO

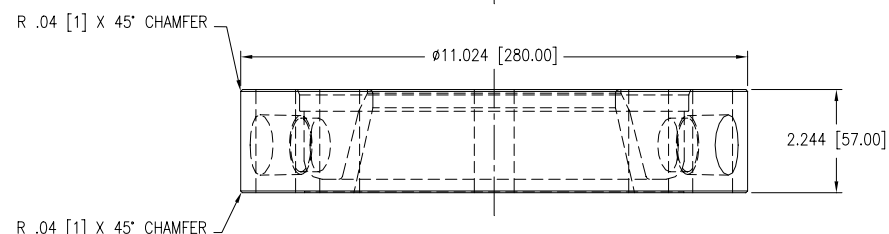
FLEMINGCO ANNULAR WATER  
INJECTION FLANGE FOR SPEC DOP250  
USCG DISCHARGE ADAPTER

DRAWING NO. 32113 REV. C

REV.	DATE	APPR.	DESCRIPTION	BY
DESIGNED: -			U.S. COAST GUARD	HEADQUARTERS
DRAWN: J.F.FIFE...			CIVIL ENGINEERING	
TRACED: -			USCG VOPS	
CHECKED: -			AWIF WITH NAVY ADAPTER	
REVIEWED BY: -			ANNULUS FLANGE	
PROJECT ENGINEER				
REVIEWED BY: -				
G-SEC-2C				
REVIEWED BY: -				
G-SEC-2			CHIEF, OFFICE OF CIVIL ENGINEERING	
UNLESS OTHERWISE SPECIFIED: ALL DIMENSIONS ARE IN INCHES. TOLERANCES: DIM. - ANG. -				DRAWING NUMBER
				XXXXXX
SCALE: NONE				SHEET 1 OF 3

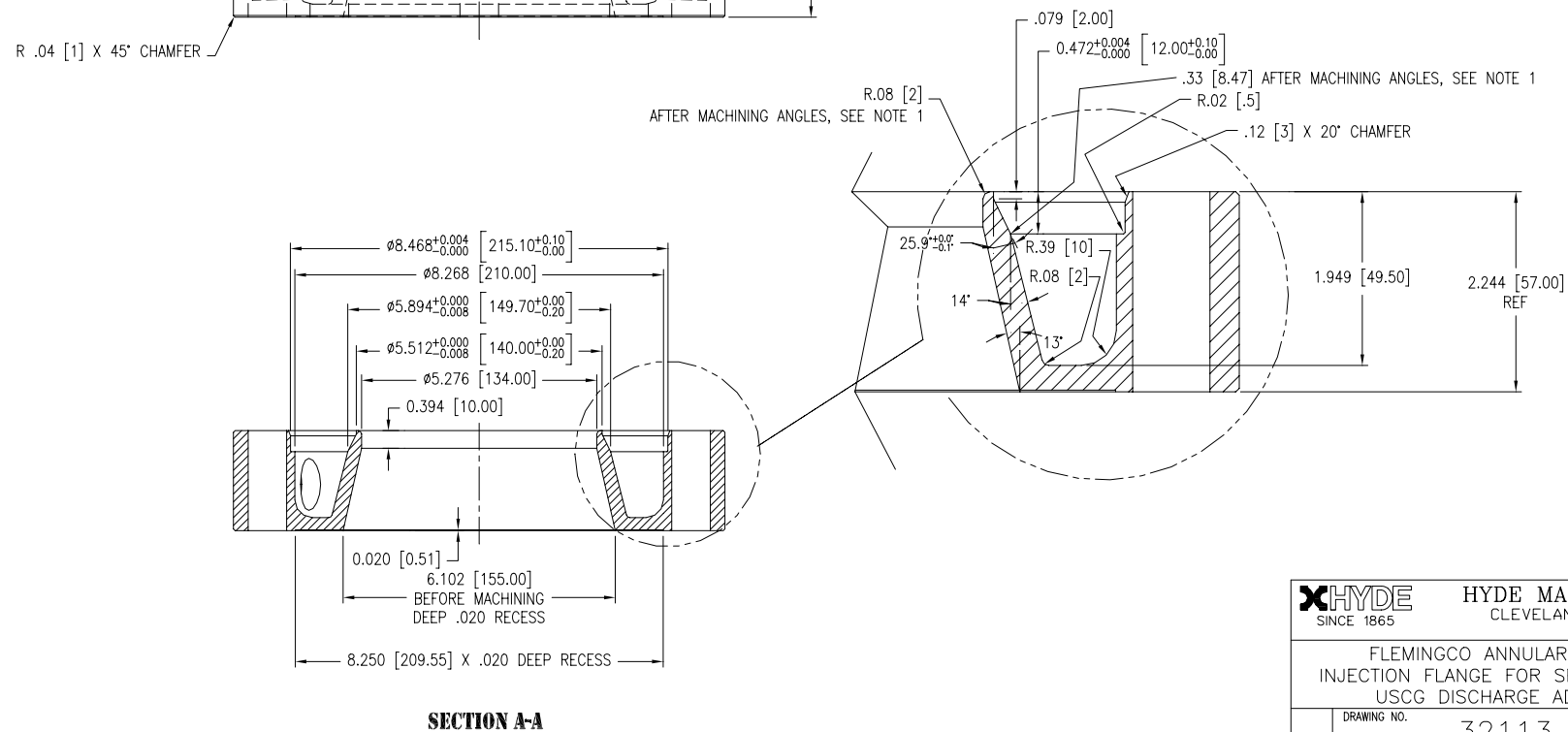


NOTE: ARROW DESIGNATION AFTER MACHINING



NOTES:

1. MACHINE RADIUS AFTER MACHINING ANGLE.
2. TOLERANCES WHERE NOT INDICATED +/- .004 [0.1]
3. BREAK ALL NON-SPECIFIED EDGES.
4. SURFACE QUALITY - NORMAL/FINE
5. MATERIAL - ALUMINUM 6061-T6.
6. MARK EACH SIDE OF AWIF (90 DEG. FROM WATER INLET PORTS) WITH AN ARROW TO INDICATE FLOW DIRECTION.

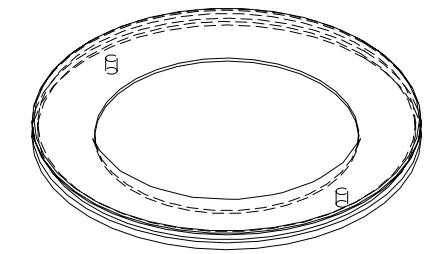
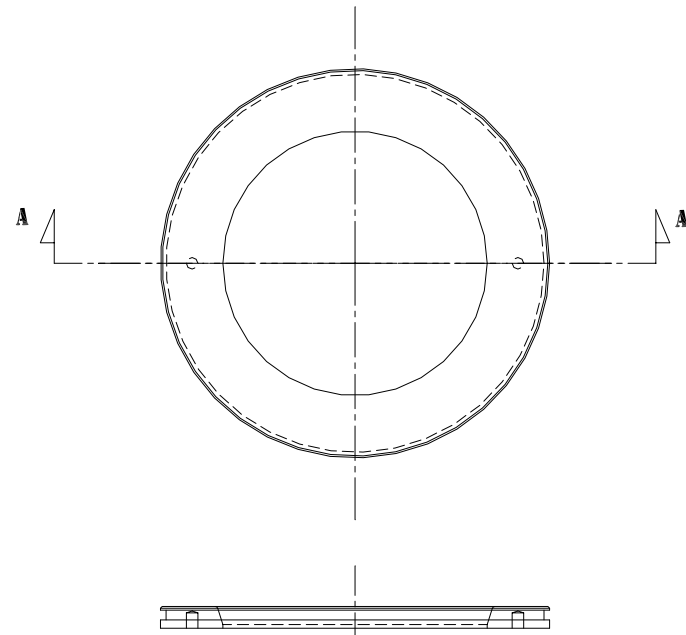


**HYDE** HYDE MARINE, INC.  
SINCE 1865 CLEVELAND, OHIO

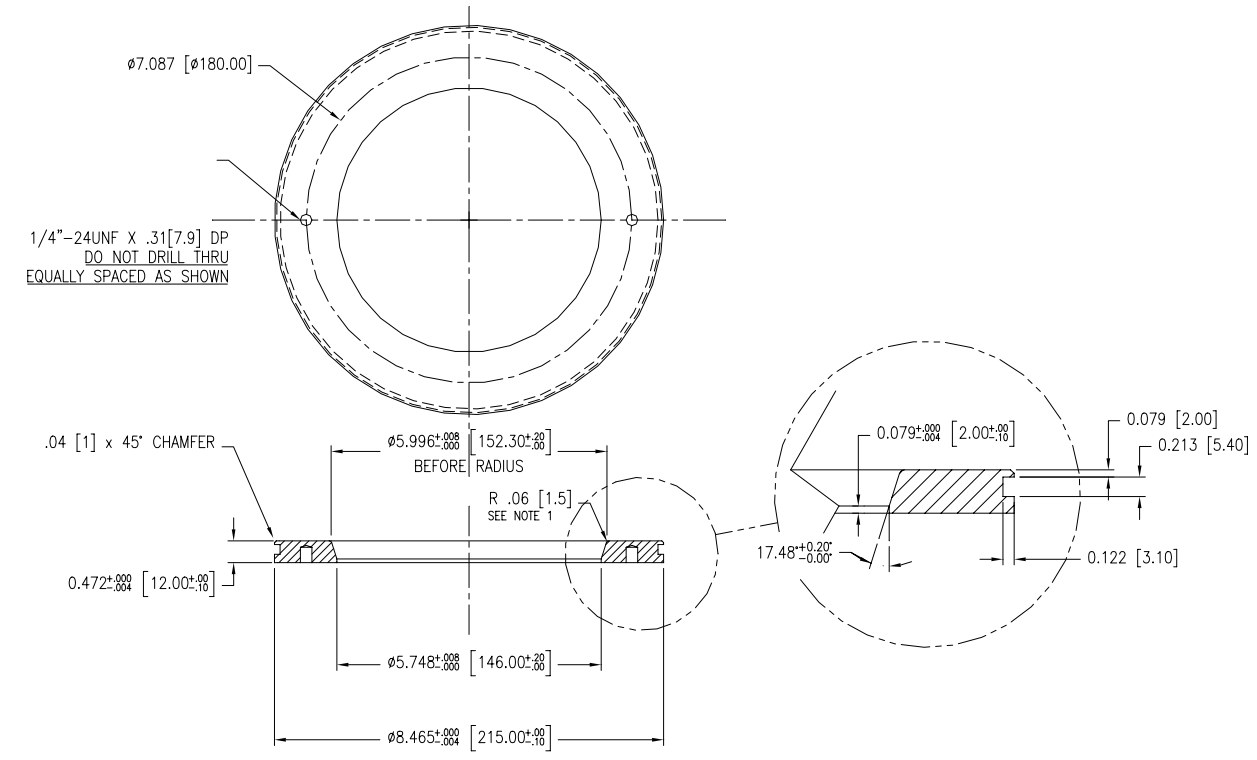
FLEMINGCO ANNULAR WATER  
INJECTION FLANGE FOR SPEC DOP250  
USCG DISCHARGE ADAPTER

DRAWING NO. 32113 REV. C

REV.	DATE	APPR.	DESCRIPTION	BY
DESIGNED: —			U.S. COAST GUARD	HEADQUARTERS
DRAWN: J.F.FIFE...			CIVIL ENGINEERING	
TRACED: —			USCG VOPS	
CHECKED: —			AWIF WITH NAVY ADAPTER	
REVIEWED BY: —			ANNULUS FLANGE	
PROJECT ENGINEER				
REVIEWED BY: —				
G-SEC-2C				
REVIEWED BY: —				
G-SEC-2			CHIEF, OFFICE OF CIVIL ENGINEERING	
UNLESS OTHERWISE SPECIFIED: ALL DIMENSIONS ARE IN INCHES. TOLERANCES: DIM. — ANG. —			DRAWING NUMBER XXXXXX	REV. —
SCALE: NONE			SHEET 2	OF 3



ISOMETRIC VIEW



SECTION B-B

NOTES:

1. MACHINE RADIUS AFTER MACHINING ANGLE.
2. TOLERANCES WHERE NOT INDICATED +/- .004 [0.1]
3. BREAK ALL NON-SPECIFIED EDGES.
4. SURFACE QUALITY - NORMAL/FINE
5. MATERIAL - ALUMINUM 6061-T6.

REV.	DATE	APPR.	DESCRIPTION	BY
DESIGNED: --			U.S. COAST GUARD	HEADQUARTERS
DRAWN: J.F.FIFE...			CIVIL ENGINEERING	
TRACED: --			USCG VOPS	
CHECKED: --			AWIF WITH NAVY ADAPTER	
REVIEWED BY: --			ANNULUS FLANGE	
PROJECT ENGINEER				
REVIEWED BY: --				
G-SEC-2C				
REVIEWED BY: --				
G-SEC-2			CHIEF, OFFICE OF CIVIL ENGINEERING	
REVIEWED BY: --				
UNLESS OTHERWISE SPECIFIED:			DRAWING NUMBER	REV.
ALL DIMENSIONS ARE IN INCHES.			XXXXXX	--
TOLERANCES: DIM. --			SCALE: NONE	SHEET 3 OF 3
ANG. --				

**HYDE** HYDE MARINE, INC.  
SINCE 1865 CLEVELAND, OHIO

FLEMINGCO ANNULAR WATER INJECTION FLANGE FOR SPEC DOP250  
USCG DISCHARGE ADAPTER

DRAWING NO. 32113 REV. C